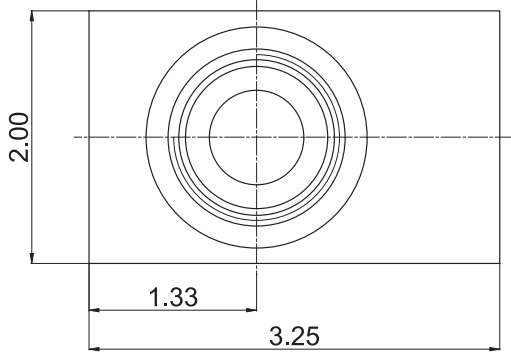


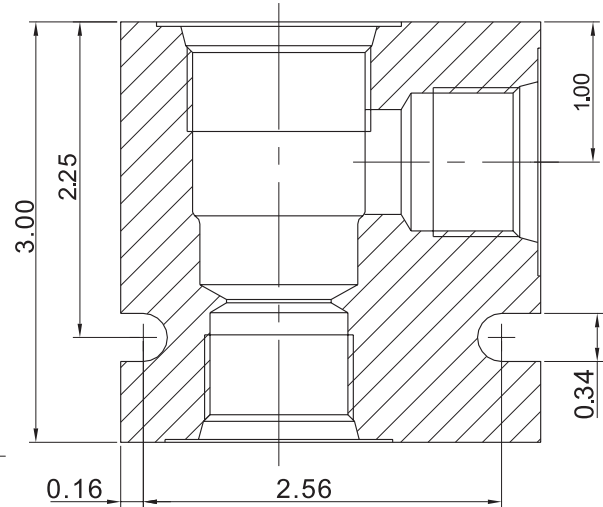
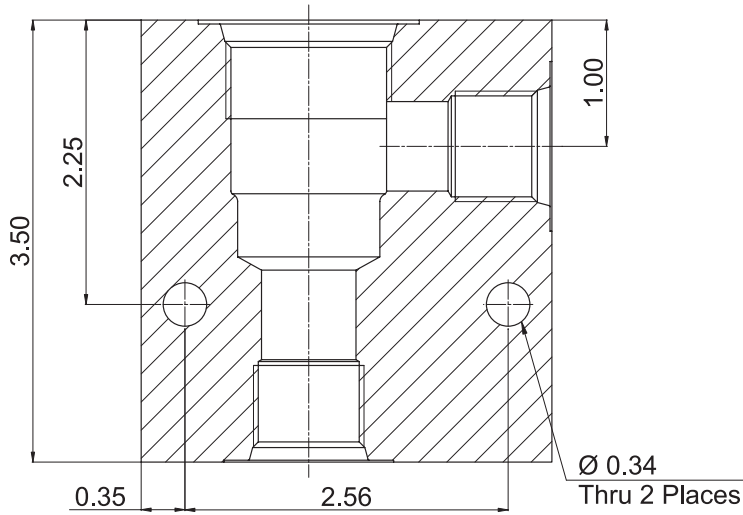
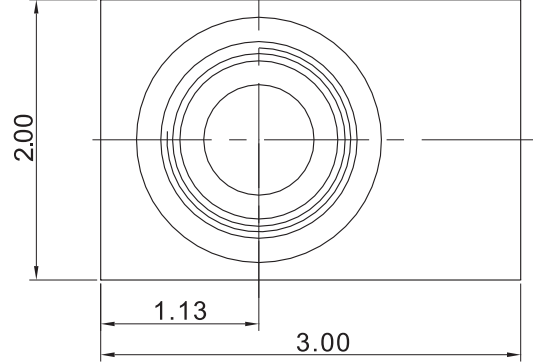
# 标准阀块

Series 16 2-WAY Housings

2-WAY 二通  
Steel (钢)



2-WAY 二通  
Aluminum (铝)



Unit=Inches

SERIES 16 2-WAY HOUSINGS			
Part No.	Material	Operating Pressure	Ports
LB16-2-S-10T	Steel	350 bar (5000 psi)	SAE 10
LB16-2-S-12T	Steel	350 bar (5000 psi)	SAE 12
LB16-2-S-16T	Steel	350 bar (5000 psi)	SAE 16
LB16-2-S-6G	Steel	350 bar (5000 psi)	G 3/4
LB16-2-S-8G	Steel	350 bar (5000 psi)	G 1
LB16-2-A-12T	Aluminum	210 bar (3000 psi)	SAE 12
LB16-2-A-16T	Aluminum	210 bar (3000 psi)	SAE 16
LB16-2-A-6G	Aluminum	210 bar (3000 psi)	G 3/4
LB16-2-A-8G	Aluminum	210 bar (3000 psi)	G 1