

LACR.M14

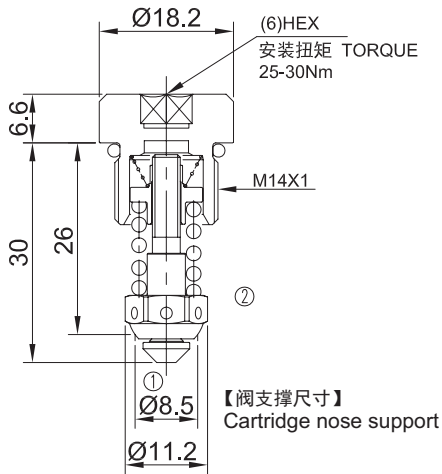
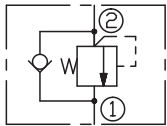
直动式补油溢流阀

说明 DESCRIPTION

A cartridge-style direct-acting poppet-type anti-cavitation relief valve

直动座阀式补油溢流阀

SYMBOL



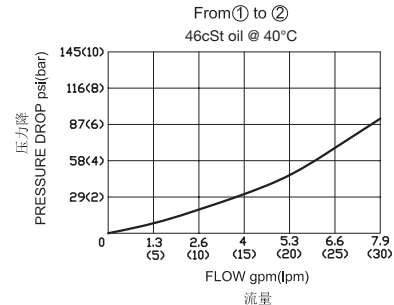
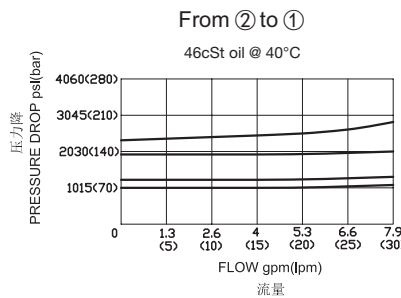
工作 OPERATION

Flow is free from ① to ② .until ② pressure increases to meet the selected valve setting, allowing relief flow through port ① to tank. This valve combines the typical function of shock relief valve (direct acting) and anti-cavitation function through the check valve. The direct action and the specific design allow a very fast opening and closing.

液体从①口到②口自由流动 .直到②口压力上升到符合所选阀的设置压力,允许通过①口溢流到油箱。结合溢流阀(直动)的典型功能和单向阀的补油功能。直动式和特殊设计使阀芯快速打开和关闭。

技术参数 SPECIFICATIONS

工作压力(Operating Pressure):	210bar
流量(Flow):	See PRESSURE DROP VS.FLOW graph.
回座时最大泄漏(Maximum valve leakage at reseal):	15 drops/min(滴/分)
弹簧调压范围(Standard Spring Ranges):	20-70bar; 70-100bar; 100-210bar;
温度(Temperature):	-40°F to +250°F(-40°C to +120°C)
过滤(Filtration):	See page (参见) N-1
油液(Fluids):	Mineral-based fluids with viscosities of 7.4 to 420 cSt.(矿物油粘度)
插孔(Cavity):	Rexroth-869, See page M-12
阀块材料(Body Material):	6061-T6 aluminum alloy rated to 207bar, Steel & Ductile iron rated to 350bar 6061-T6铝,允许使用最大压力207bar 钢和球铁允许使用最大压力350bar



订货代号 TO ORDER

LACR.M14 - ** / ***



1 功能
LACR= 补油溢流阀
Anti-Cavitation Relief Valve

2 规格 Size
M14=M14 规格

3 弹簧调压范围 Spring Ranges
05=290 -1000psi(20-70 bar)
10=1000-1450psi(70-100bar)
20=1450-3000psi(100-210bar)

4 设定压力 Setting In Bar
空白 Blank= 预设定 Preset
例 Example:070=70bar
固定设置值 psi(bar) Q=5 L/min