

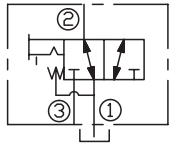
LMP-08-3B-L

手动换向阀

说明 DESCRIPTION

A cartridge-style manual 3-way pull-to-shift directional valve
二位，三通，手动换向阀

SYMBOL



工作 OPERATION

In its steady-state, spring-offset position, the valve directs flow from ② to ①, while blocking at ③.

In the actuated (pulled) position, the cartridge directs flow from ③ to ②, blocking ①. The spring chamber is vented at ①.

Note: Pressure at port ①, will directly act on the spool and spring. Port ① is intended to be a tank port only.

A unique pull-and-rotate feature for holding the positive actuated position is optional. A 90° rotation is required to position at the hold slot. The valve resets to spring-return de-actuated with a slight pull and a 90° turn from the locked actuated position.

初始位，弹簧复位，油液从②流向①，而在③处关闭。

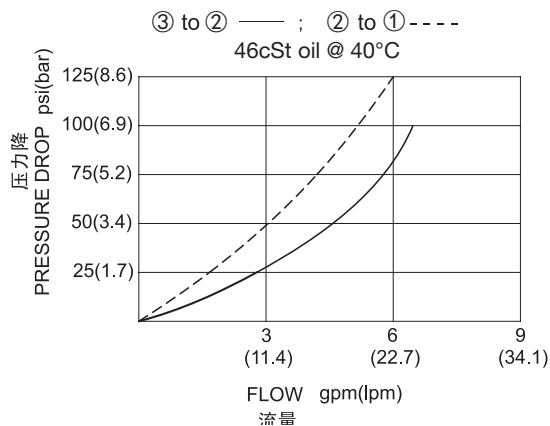
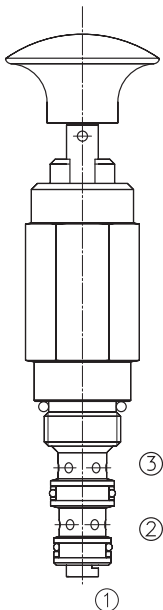
手柄拉开，油液从③流向②，而在①处关闭。弹簧腔泄油孔与①通。

注：油口①的压力将直接作用在阀芯和弹簧上，油口①只能回油箱。采用拉动旋转手柄，②到③通，手柄旋转 90°，定位在固定槽内。轻轻拉动手柄并自锁定位旋转 90° 后，弹簧复位，阀芯换向。

技术参数 SPECIFICATIONS

工作压力(Operating pressure):	port ③&②: 240 bar; port ①max.: 14 bar
流量(Flow):	See PRESSURE DROP VS.FLOW graph.
内泄漏(Internal Leakage):	82 cc/min. max. at 240bar
温度(Temperature):	-40°F to +250°F(-40°C to +120°C)
过滤(Filtration):	See page (参见) N-1
油液(Fluids):	Mineral-based fluids with viscosities of 7.4 to 420 cSt.(矿物油粘度)
插孔(Cavity):	08-3, See page M-1
阀块材料(Body Material):	6061-T6 aluminum alloy rated to 207bar, Steel & Ductile iron rated to 350bar 6061-T6铝,允许使用最大压力207bar 钢和球铁允许使用最大压力350bar

压力 - 流量曲线 PRESSURE DROP VS.FLOW



订货代号 TO ORDER

LMP - 08 - 3B - L - * *

┌───┐ ┌───┐ ┌───┐ ┌───┐ ┌───┐
 1 2 3 4 5

1 功能
 LMP= 手动换向阀 Manual, Spring Return, Pull-to-Shift

2 规格 Size
 08=08 规格

3 流道类型 Flow Path
 3B= 三通

4 类型
 L= 红色塑料手柄 / 定位

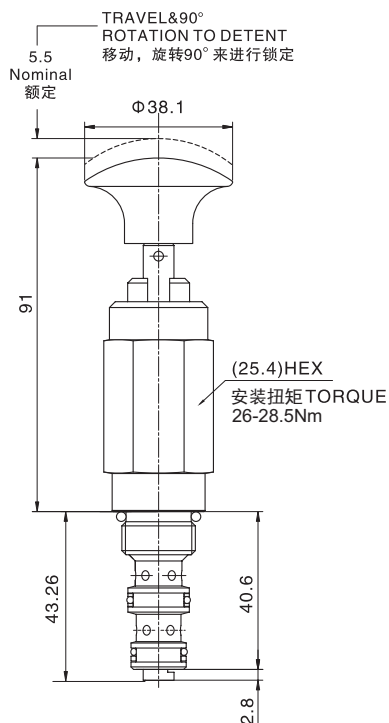
5 阀块油口 Body Porting
 空白 Blank= 不带阀块 None
 4T=SAE4
 6T=SAE6
 2G=G 1/4
 3G=G 3/8

※ 阀块详见章节 K-2
 其它螺纹油口也是可选择的
 Other Porting is Available

D

安装尺寸 INSTALLATION DIMENSIONS

Unit=Millimeters



安装此阀时需先导钻孔 Φ12.7mm,
 深最小46mm.
 节流孔片不能用于此产品