

# LNRV5-08

## 直动式溢流阀

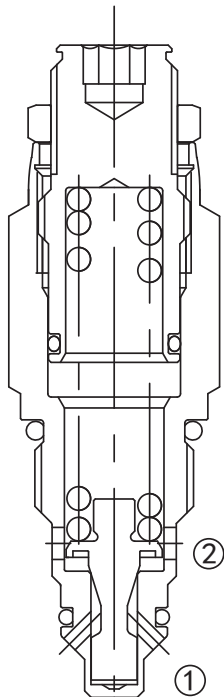
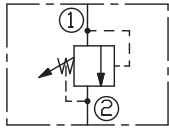
### 说明 DESCRIPTION

A cartridge-style direct-acting poppet-type relief valve  
直动座阀式溢流阀

### 工作 OPERATION

The valve prevents flow from ① to ② until the set crack pressure at ① is achieved. The poppet then unseats allowing flow from ① to ② protecting the circuit from over pressurization.  
当在①口的压力超过调压弹簧设定的压力时，阀芯打开，①到②通，防止系统过压。

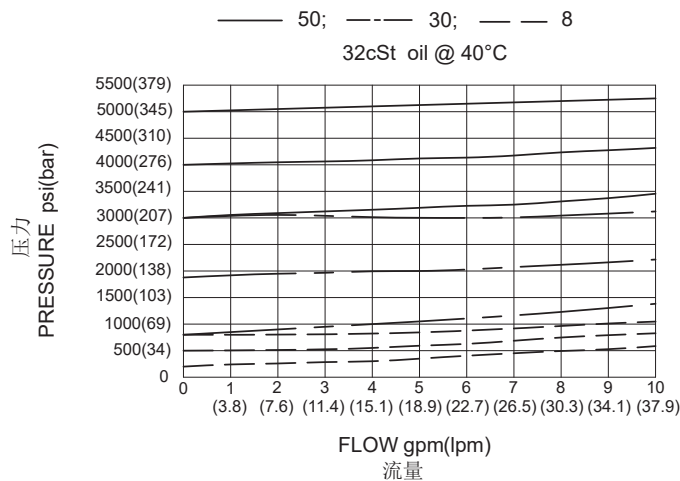
### SYMBOL



### 技术参数 SPECIFICATIONS

工作压力(Operating Pressure):	350bar
流量(Flow):	See PRESSURE DROP VS. FLOW graph.
内泄漏(Internal Leakage):	5 drops/min.(滴/分) max. to 80% of nominal setting
闭合压力(Reseat Pressure):	80% of crack pressure 开启压力(crack pressure at 0.95 lpm /0.25 gpm)
弹簧调压范围(Standard Spring Ranges):	14 to 55 bar; preset 预设定: 28bar 55 to 207 bar; preset 预设定: 103bar 207 to 350 bar; preset 预设定: 175bar
温度(Temperature):	-40°F to +250°F (-40 °C to +120 °C)
过滤(Filtration):	See page (参见) N-1
油液(Fluids):	Mineral-based fluids with viscosities of 7.4 to 420 cSt.(矿物油粘度)
插孔(Cavity):	08-2, See page M-1
阀块材料(Body Material):	6061-T6 aluminum alloy rated to 207Bar, Steel & Ductile iron rated to 350Bar 6061-T6铝,允许使用最大压力207Bar 钢和球铁允许使用最大压力350Bar

### 压力 - 流量曲线 PRESSURE DROP VS.FLOW



订货代号 TO ORDER

**LNRV5 -08 - \* \* - \* / \*\*\*\* - \* \***  

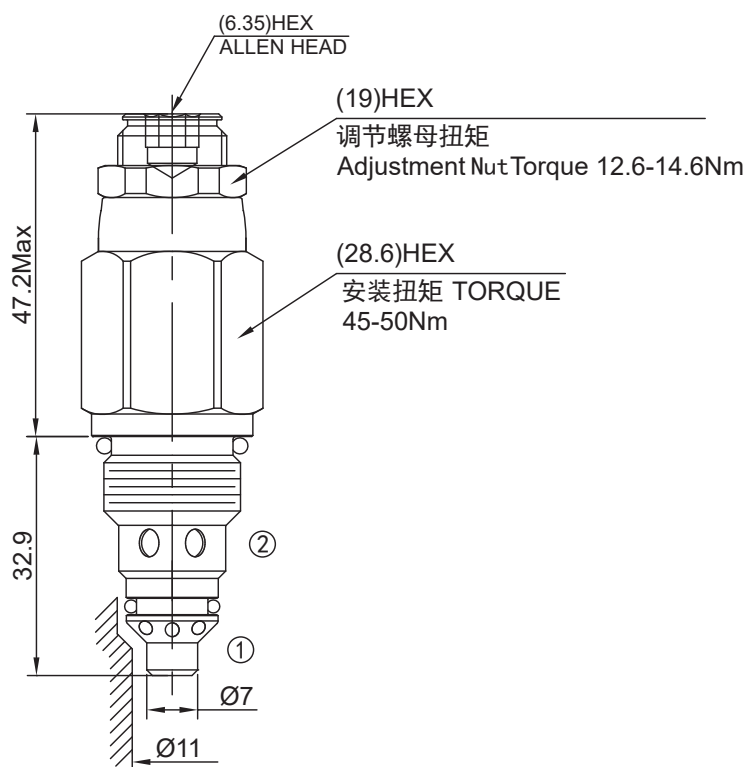
└──┬──┘
└──┬──┘
└──┬──┘
└──┬──┘
└──┬──┘
└──┬──┘
  

1
2
3
4
5
6

- |   |  |  |
|---|--|--|
| <p><b>1</b> 功能<br/>LNRV5= 直动式溢流阀<br/>Direct-Acting Relief Valve</p>   | <p><b>4</b> 调节 <b>Adjustment</b><br/>空白 Blank=1/4" 内六角调节杆<br/>(Omit for 1/4" Hex Allen head)</p> | <p><b>6</b> 阀块油口 <b>Body Porting</b><br/>空白 Blank= 不带阀块 None<br/>4T=SAE4<br/>6T=SAE6<br/>2G=G 1/4<br/>3G=G 3/8</p> |
| <p><b>2</b> 规格 <b>Size</b><br/>08=08 规格</p>   | <p><b>5</b> 设定压力 <b>Setting In Bar</b><br/>空白 Blank= 预设定 Preset<br/>例 Example:0150=150bar</p>    | <p>※ 阀块详见章节 K-1<br/>其它螺纹油口也是可选择的<br/>Other Porting is Available</p>  |
| <p><b>3</b> 弹簧调压范围 <b>Spring Ranges</b><br/>8=200-800psi(14-55bar)<br/>Preset:400psi(28bar)<br/>30=800-3000psi(55-207bar)<br/>Preset:1500psi(103bar)<br/>50=3000-5075psi(207-350Bar)<br/>Preset:2538psi(175bar)</p> |  |  |

安装尺寸 **INSTALLATION DIMENSIONS**

Unit=Millimeters



要求安装流道孔Ø11深>34