

工程机械用

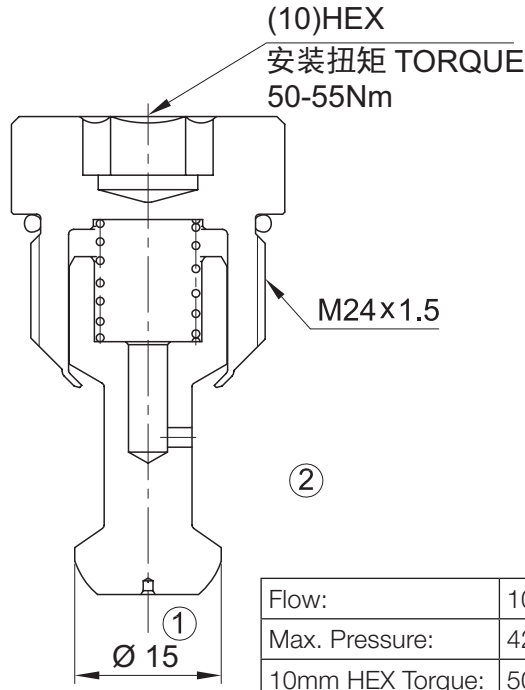


ACV.M24(补油开启压力 0.5bar)

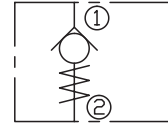
补油阀

说明 DESCRIPTION

An anti-cavitation valve



SYMBOL



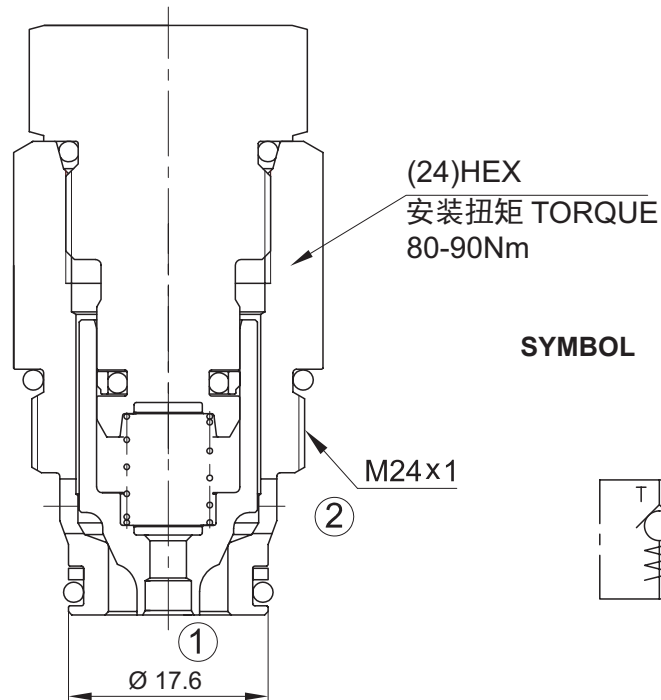
Flow:	100L/min
Max. Pressure:	42Mpa
10mm HEX Torque:	50-55Nm
Cavity:	Rexroth-870,see page(M-13)

MHSV16K1-M24(补油开启压力 0.5bar)

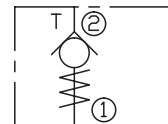
补油阀

说明 DESCRIPTION

An anti-cavitation valve



SYMBOL



Flow:	100L/min
Max. Pressure:	42Mpa
24mm HEX Torque:	80-90Nm
Cavity:	Rexroth-FB,see page(M-15)